

Marine Butterfly Valve



Wafer Type



Semi-lug Type



Lug Type



JIS Double Flanged



DIN Double Flanged



U Type Flanged



Centre Handle Type



Hydraulic type



Pneumatic Type



Dual Chek Vale



S4111 Check Valve



Swing Check Valve

JIS Marine Valve



Cast iron Globe Valve



Cast Steel SDNR Valve



Bronze Globe Valve



Cast iron Angle Valve



Cast Steel SDNR Angle Valve



Bronze Angle Valve



Cast Iron Gate Valve



Cast Steel Storm Valve



Bronze Angle Hose Valve



Cast Iron LiftCheck Valve



Self-closing Drain Valve



Emergency Shout-off Valve

DIN Marine Valve



Cast Iron Globe Valve



Cast Steel SDNR Valve



Bronze Globe Valve



Cast Iron Angle Valve



Cast Steel SDNR Angle Valve



Bronze Angle Valve



Cast Iron Gate Valve



External Thread Valve



Bronze Globe Hose Valve



Oil Filter



Angle Emergency Shout-off Valve



Self Closing Type Release Valve



CATALOG

Butterfly Valve

ACTUATOR	2
Wafer Type	5
Semi-lug Type	7
Lug Type	9
JIS Double Flanged	11
U Type Flanged	13
DIN Double Flanged	15
Check Valve	17
S4111 Check Valve	19
Swing Check Valve	21

JIS Marine Valve

INTRO	23
Air Vent Head	24
Cast Iron Globe/Angle Valve	26
Cast Steel Globe/Angle Valve	28
Gate Valve	30
Hose Valve	32
Bronze Globe/Angle Valve	34
Storm Valve	35
Swing Check Valve	36
Emergency Shout-off Valve	37



1、 Butterfly Valve



INTRO

Butterfly valve is a simple structure control valve, can be used to control the low pressure pipeline medium switch. Butterfly valve refers to the shutoff as a disc, rotating around the valve shaft to open and close a valve. It can be used to control the flow of air, water, steam, corrosive medium, mud, oil, liquid metal and radioactive medium. The main function of pipe cutting and throttling. The butterfly valve opening and closing piece is a disc shaped disc, rotating around its own axis in the body, so as to achieve the purpose of opening and closing or adjustment.

Material

Body: body material includes FC, FCD, SC, BC, SUS304 and other materials.

Disc : butterfly plate is made of stainless steel 304. Other materials include bulb iron, stainless steel 316, aluminum bronze, etc.

Stem: the stem material includes 45# steel, stainless 416, stainless 304 and so on.

Seat: the seat includes ethylene propylene rubber, acrylonitrile butadiene rubber, fluorine rubber, polytetrafluoroethylene and other materials.

Standard

Our butterfly valves are manufactured according to related butterfly valves and Marine butterfly valves

1. JISF7480

2. DIN3354

3. GB/T3036

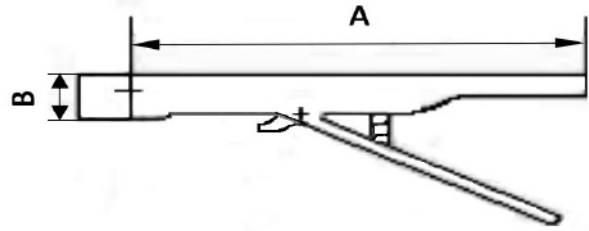
Flange Standard:

1. JIS — 5K、10K、16K

2. DIN — PN6、PN10、PN16

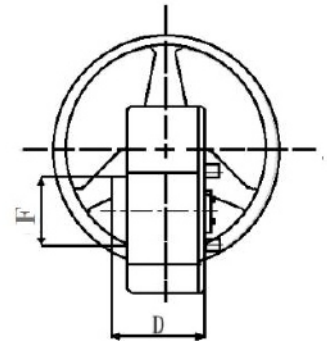
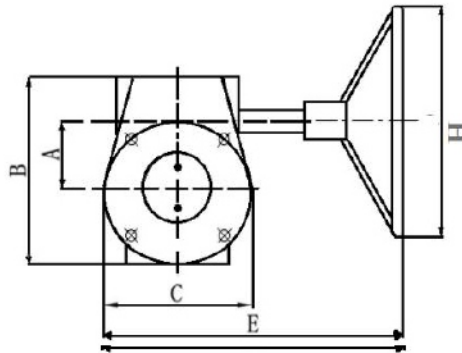
3. ANSI — 125LB、150LB

Lever Type

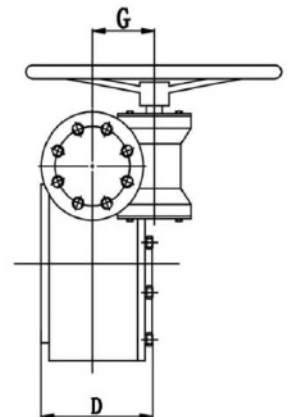
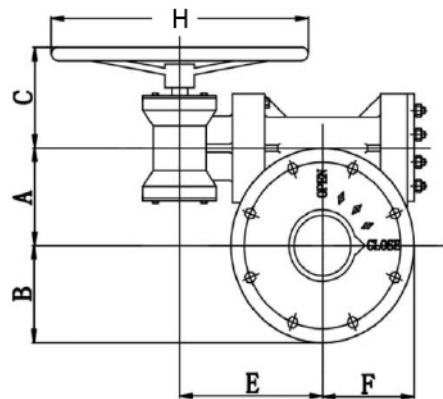


DN	A	B	weight (KG)
DN50-DN150	267	32	1.1
DN200-DN300	359	50	2.3

Worm Gear



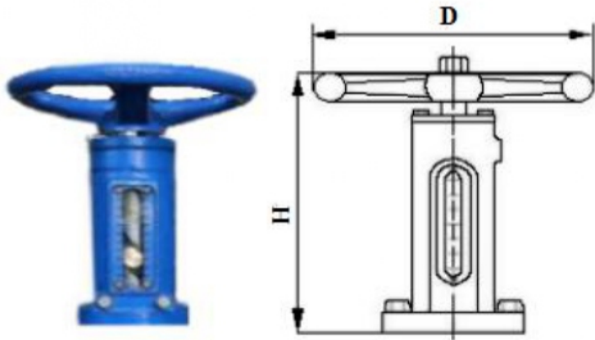
DN50-DN350



DN400-DN600

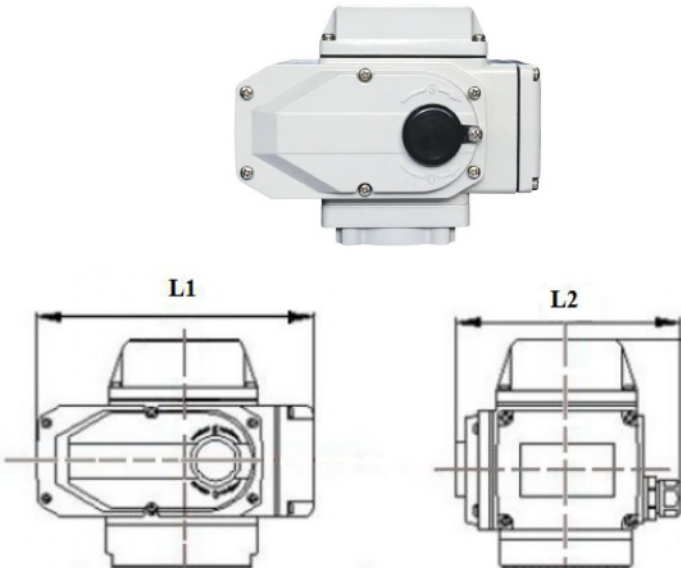
DN	A	B	C	D	E	F	H
DN50-DN150	45	128	105	64	226	77	150
DN200-DN250	63	179	152	80	313	115	300
DN300-DN350	78	200	164	82	307	140	300
DN400-DN500	94	104	160	104	184	104	300
DN600	125	131	176	124	200	131	300

Centre Handle Type



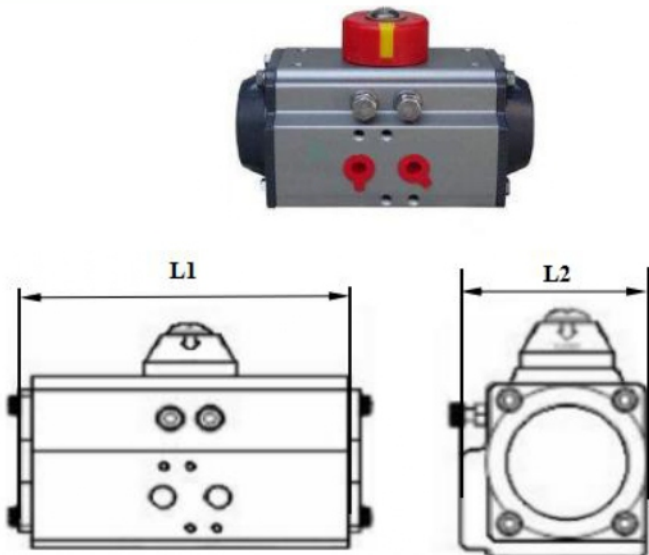
DN	D	H	weight (KG)
DN50-DN80	150	180	4.5
DN100-DN150	190	220	6.7
DN200-DN350	240	260	8

Electric Type



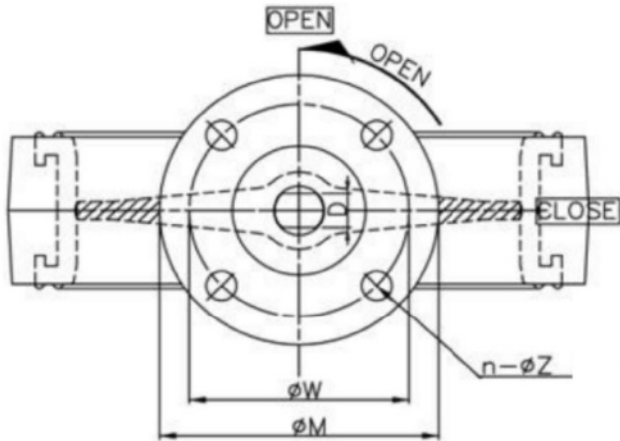
DN	L1	L2
DN50-DN80	210	131
DN100-DN150	309	160
DN200-DN350	309	177

Pneumatic Type

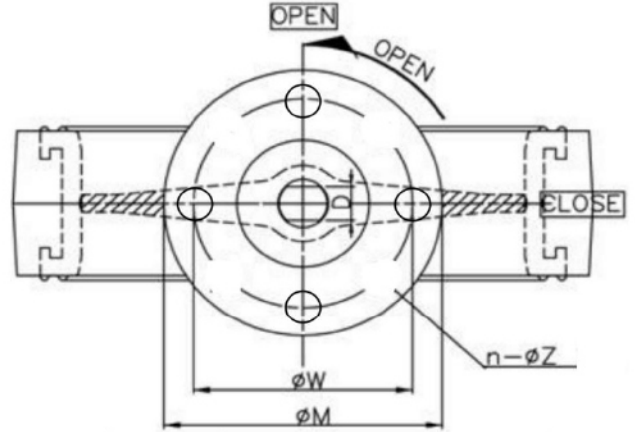


DN	L1	L2
DN50-DN80	147	72
DN100-DN150	262	109
DN200-DN300	394	152

Top Flange

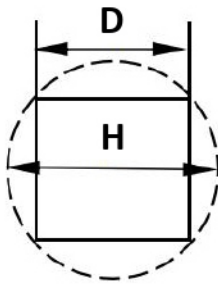


45度上法兰

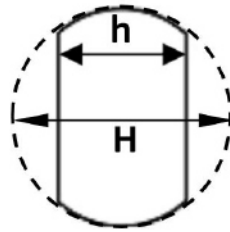


90度上法兰

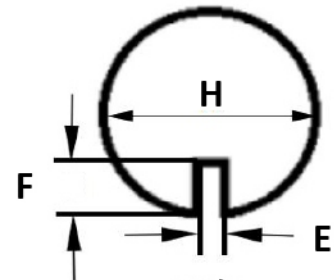
Stem size



方杆



扁杆



圆杆

DN	M		W		N-Z		E	F	h	D	H
	common	ISO5211	common	ISO5211	common	ISO5211					
50	77	90	57	70	4*7	4*9	3	5	9	9	13
65	77	90	57	70	4*7	4*9	3	5	9	9	13
80	77	90	57	70	4*7	4*9	3	5	9	9	13
100	92	90	70	70	4*10.5	4*9	3	6	11	11	16
125	92	90	70	70	4*10.5	4*9	5	6	13	14	19
150	92	90	70	70	4*10.5	4*9	5	6	13	14	19
200	115	125	89	102	4*14.5	4*12	5	6	16	17	22
250	115	125	89	102	4*14.5	4*12	8	8	21	22	29
300	140	125	108	102	4*14.5	4*12	8	8	22	22	32
350	140	150	108	125	4*14.5	4*18	8	8	22	22	32
400	197	175	159	140	4*20.6	4*18	10	10	-	-	33
450	197	175	159	140	4*20.6	4*18	10	10	-	-	38
500	197	175	159	140	4*20.6	4*18	10	10	-	-	41
600	276	210	216	165	4*22.2	4*22	16	16	-	-	51

IMPA:752201-752245
754401-754414
754671-754685



船用型对夹蝶阀

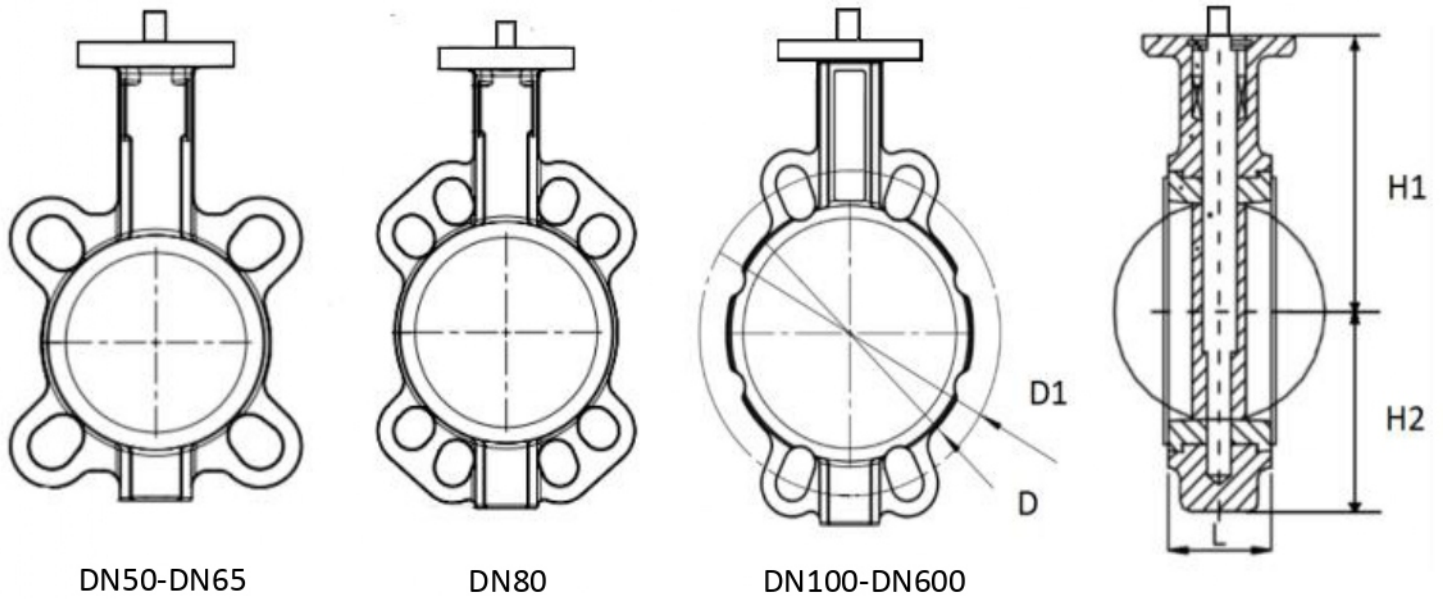
Marine Wafer Type Butterfly Valve

日标: JISF7480 46#W

德标: DIN S50

国标: CB/T 3036

Flange Connection			MATERIAL				Actuator	
JIS	DIN	ANSI	BODY	DISC	SEAT	STEM		
5K	PN10	125LB	FC	FCD	NBR	S45C	LOCK LEVER	WORM GEAR
10K	PN16	150LB	FCD	SUS304	EPDM	SS416	CENTRE HANDLE	ELECTRIC
			SC	Bronze	PTFE	SUS304	PNEUMATIC	HYDRAULIC
					VITON	SUS316		



DN	L	D	JIS				DIN				ANSI		H1	H2	WEIH GTKG
			5K		10K		PN10		PN16		150LB				
			D1	n-d	D1	n-d	D1	n-d	D1	n-d	D1	n-d			
50	43	96	105	4×Φ15	120	4×Φ19	125	4×Φ18	125	4×Φ18	120.5	4×Φ19	140	69	2.3
65	46	106	130	4×Φ15	140	4×Φ19	145	4×Φ18	145	4×Φ18	139.5	4×Φ19	149	78	2.7
80	46	121	145	4×Φ19	150	8×Φ19	160	8×Φ18	160	8×Φ18	152.5	4×Φ19	156	96	3
100	52	150	165	8×Φ19	175	8×Φ19	180	8×Φ18	180	8×Φ18	190.5	8×Φ19	173	112	3.5
125	56	178	200	8×Φ19	210	8×Φ23	210	8×Φ18	210	8×Φ18	216.0	8×Φ22	186	128	4.5
150	56	208	230	8×Φ19	240	8×Φ23	240	8×Φ22	240	8×Φ22	241.5	8×Φ22	202	138	5.4
200	60	258	280	8×Φ23	290	12×Φ23	295	8×Φ22	295	12×Φ22	298.5	8×Φ22	231	171	7.8
250	68	315	345	12×Φ23	355	12×Φ25	350	12×Φ22	355	12×Φ26	362.0	12×Φ25	274	200	11.1
300	78	369	390	12×Φ23	400	16×Φ25	400	12×Φ22	410	12×Φ26	432.0	12×Φ25	310	244	15.6
350	78	403	435	12×Φ23	445	16×Φ25	460	16×Φ22	470	16×Φ26	476.0	12×Φ29	360	267	20.7
400	102	488	495	16×Φ25	510	16×Φ27	515	16×Φ26	525	16×Φ30	539.5	16×Φ29	400	325	65
450	114	536	555	16×Φ25	565	20×Φ27	565	20×Φ26	585	20×Φ30	578.0	16×Φ32	422	345	89
500	127	590	605	20×Φ25	620	20×Φ27	620	20×Φ26	650	20×Φ33	635.0	20×Φ32	480	378	105
600	154	701	715	20×Φ27	730	24×Φ33	725	20×Φ26	770	20×Φ36	749.5	20×Φ35	562	475	192

IMPA:752201-752245

船用型半凸耳式蝶阀
Marine Semi-Lug Butterfly Valve



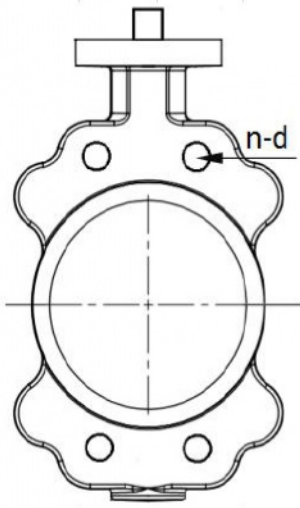
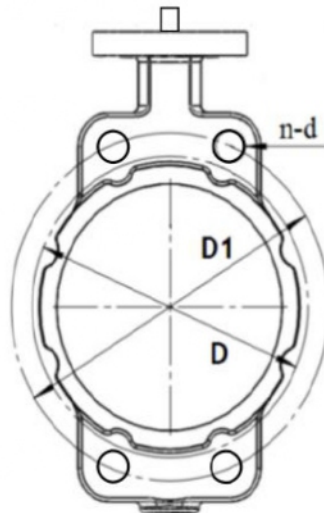
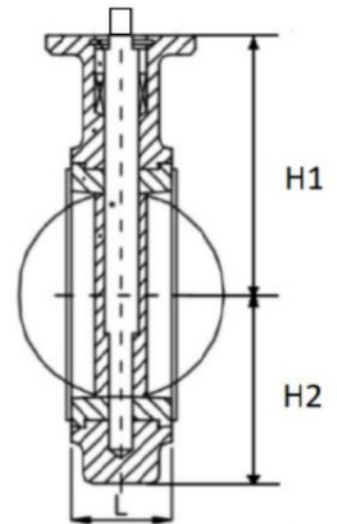
日标: **JISF7480 46#S**

JISF7480 43#S

德标: **DIN S58**

国标: **CB/T3036**

Flange connection			Material				Actuator	
JIS	DIN	ANSI	BODY	DISC	SEAT	STEM		
5K	PN10	125LB	FC	FCD	NBR	S45C	LOCK LEVER	WORM GEAR
10K	PN16	150LB	FCD	SUS304	EPDM	SS416	CENTRE HANDLE	ELECTRIC
			SC	BRONZE	PTFE	SUS304	PNEUMATIC	HYDRAULIC
					VITON	SUS316		

Marine Semi-Lug Butterfly Valve

DN80

DN100-DN600


DN	46# L	43# L	D	JIS				DIN				H1	H2
				5K		10K		PN10		PN16			
				D1	n-d	D1	n-d	D1	n-d	D1	n-d		
80	46	60	122	145	4×M16	150	4×M16	160	4×M16	160	4×M16	132	97
100	52	60	155	165	4×M16	175	4×M16	180	4×M16	180	4×M16	151	112
125	56	60	183	200	4×M16	210	4×M20	210	4×M16	210	4×M16	167	123
150	56	70	217	230	4×M20	240	4×M20	240	4×M20	240	4×M20	185	135
200	60	80	270	280	4×M20	290	4×M20	295	4×M20	295	4×M20	215	168
250	68	90	328	345	4×M20	355	4×M22	350	4×M20	355	4×M24	260	205
300	78	90	380	390	4×M20	400	4×M22	400	4×M20	410	4×M24	305	240
350	78	100	437	435	4×M22	445	4×M22	460	4×M20	470	4×M24	327	268
400	102	110	484	495	4×M22	510	4×M24	515	4×M24	525	4×M28	371	310
450	114	130	534	555	4×M22	565	4×M24	565	4×M24	585	4×M28	412	338
500	127	140	584	605	4×M22	620	4×M24	620	4×M24	650	4×M30	450	368
550	154	150	644	665	4×M24	680	4×M30	-	-	-	-	470	386
600	154	160	690	715	4×M24	730	4×M30	725	4×M24	770	4×M34	515	430

IMPA:754416-754459

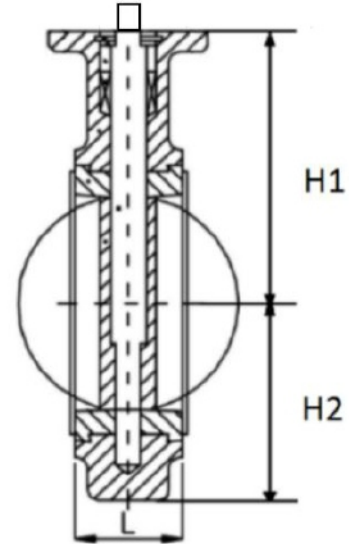
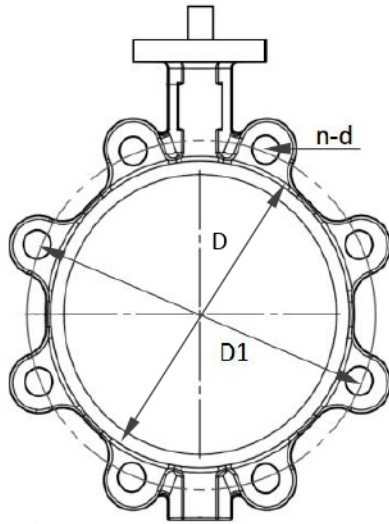
船用型凸耳式蝶阀
Marine Lug Type Butterfly Valve



日标: **JIS F7480 46#L**

德标: **DIN S52**

Flange connection			Material				Actuator	
JIS	DIN	ANSI	BODY	DISC	SEAT	STEM		
5K	PN10	125LB	FC	FCD	NBR	S45C	LOCK LEVER	WORM GEAR
10K	PN16	150LB	FCD	SUS304	EPDM	SS416	CENTRE HANDLE	ELECTRIC
			SC	BRONZE	PTFE	SUS304	PNEUMATIC	HYDRAULIC
					VITON	SUS316		



DN50-DN600

DN	L	D	日标				德标				H1	H2
			5K		10K		PN10		PN16			
			D1	n-d	D1	n-d	D1	n-d	D1	n-d		
50	43	88	105	4×M12	120	4×M16	125	4×M16	125	4×M16	132	97
65	46	101	130	4×M12	140	4×M16	145	4×M16	145	4×M16	151	112
80	46	116	145	4×M16	150	8×M16	160	8×M16	160	8×M16	132	97
100	52	149	165	8×M16	175	8×M16	180	8×M16	180	8×M16	151	112
125	56	175	200	8×M16	210	8×M20	210	8×M16	210	8×M16	167	123
150	56	207	230	8×M16	240	8×M20	240	8×M20	240	8×M20	185	135
200	60	260	280	8×M20	290	12×M20	295	8×M20	295	12×M20	215	168
250	68	316	345	12×M20	355	12×M22	350	12×M20	355	12×M24	260	205
300	78	368	390	12×M20	400	16×M22	400	12×M20	410	12×M24	305	240
350	78	437	435	12×M22	445	16×M22	460	16×M20	470	16×M24	327	268
400	102	484	495	16×M22	510	16×M24	515	16×M24	525	16×M28	371	310
450	114	534	555	16×M22	565	20×M24	565	20×M24	585	20×M28	412	338
500	127	584	605	20×M22	620	20×M24	620	20×M24	650	20×M31	450	368
600	154	690	715	20×M24	730	20×M30	725	20×M24	770	20×M34	515	430

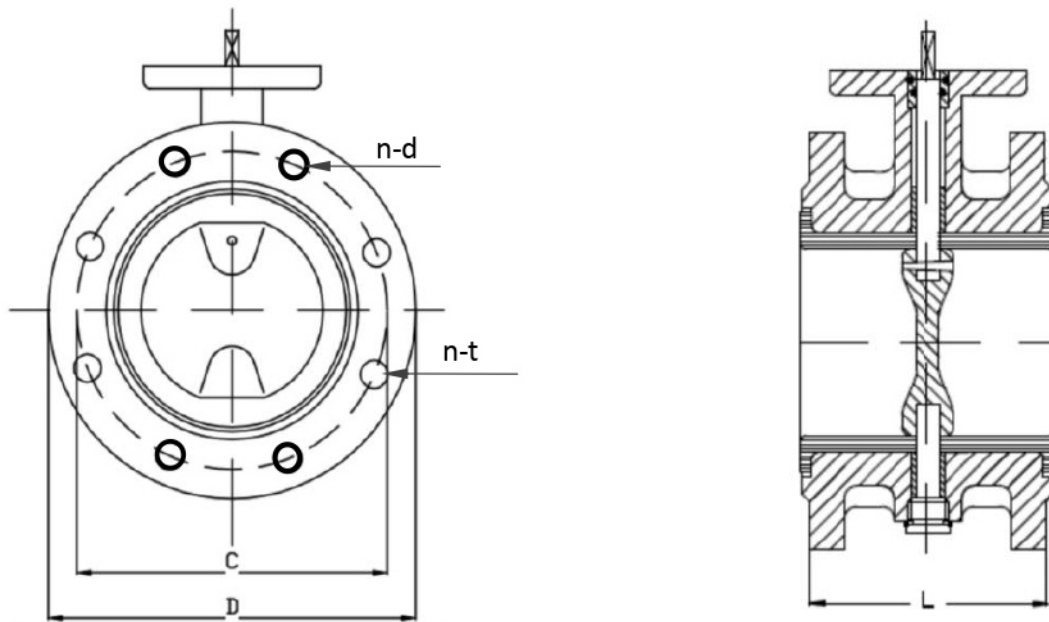
日标双法兰蝶阀

JIS Double Flanged Butterfly Valve



日标: JIS F7480 122#A-F

Flange connection			Material				Actuator	
JIS	DIN	ANSI	BODY	DISC	SEAT	STEM		
5K	PN10	125LB	FC	FCD	NBR	S45C	LOCK LEVER	WORM GEAR
10K	PN16	150LB	FCD	SUS304	EPDM	SS416	CENTRE HANDLE	ELECTRIC
			SC	BRONZE	PTFE	SUS304	PNEUMATIC	HYDRAULIC
					VITON	SUS316		

JIS Double Flanged Butterfly Valve


DN	L	D	JIS						DIN		
			5K			10K			PN10		
			C	n-d	n-t	C	n-d	n-t	C	n-d	n-t
50	40	165	105	4×M12	-	120	4×M16	-	125	4×M16	-
65	40	185	130	4×M12	-	140	4×M16	-	142	4×M16	-
80	60	200	145	4×M16	-	150	4×M16	4×Φ19	160	4×M16	4×Φ18
100	60	220	165	4×M16	4×Φ19	175	4×M16	4×Φ19	180	4×M16	4×Φ18
125	100	250	200	4×M16	4×Φ19	210	4×M20	4×Φ19	210	4×M16	4×Φ18
150	100	285	230	4×M20	4×Φ19	240	4×M20	4×Φ23	240	4×M20	4×Φ22
200	100	340	280	4×M20	4×Φ23	290	4×M20	4×Φ23	295	4×M20	4×Φ22
250	110	395	345	4×M20	8×Φ23	355	4×M22	8×Φ23	350	4×M20	8×Φ22
300	110	445	390	4×M20	8×Φ23	400	4×M22	8×Φ25	400	4×M20	8×Φ22
350	120	505	435	4×M22	8×Φ25	445	4×M22	12×Φ25	460	4×M20	12×Φ22
400	130	565	495	4×M22	12×Φ25	510	4×M24	12×Φ25	515	4×M24	12×Φ26
450	150	620	555	4×M22	12×Φ25	565	4×M24	12×Φ27	565	4×M24	16×Φ26
500	160	675	605	4×M22	16×Φ25	620	4×M24	16×Φ27	620	4×M24	16×Φ26
550	170	745	665	4×M24	16×Φ27	680	4×M30	16×Φ33	-	-	-
600	170	795	715	4×M24	16×Φ27	730	4×M30	20×Φ33	725	4×M24	16×Φ26

IMPA:754461-754514

U型双法兰蝶阀

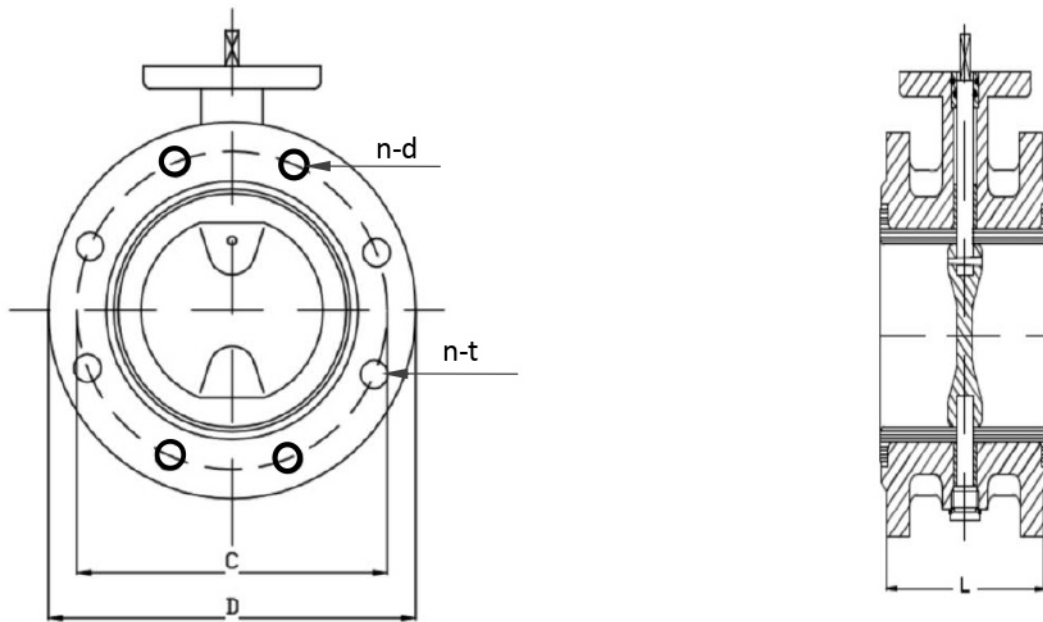
U Type Double Flanged Butterfly Valve



日标: **JIS F7480 46#F**

德标: **DIN S55**

Flange connection			Material				Actuator	
JIS	DIN	ANSI	BODY	DISC	SEAT	STEM		
5K	PN10	125LB	FC	FCD	NBR	S45C	LOCK LEVER	WORM GEAR
10K	PN16	150LB	FCD	SUS304	EPDM	SS416	CENTRE HANDLE	ELECTRIC
			SC	BRONZE	PTFE	SUS304	PNEUMATIC	HYDRAULIC
					VITON	SUS316		

U Type Double Flanged Butterfly Valve


DN	L	D	JIS						DIN		
			5K			10K			PN10		
			C	n-d	n-t	C	n-d	n-t	C	n-d	n-t
50	43	165	105	4×M12	-	120	4×M16	-	125	4×M16	-
65	46	185	130	4×M12	-	140	4×M16	-	142	4×M16	-
80	46	200	145	4×M16	-	150	4×M16	4×Φ19	160	4×M16	4×Φ18
100	52	220	165	4×M16	4×Φ19	175	4×M16	4×Φ19	180	4×M16	4×Φ18
125	56	250	200	4×M16	4×Φ19	210	4×M20	4×Φ19	210	4×M16	4×Φ18
150	56	285	230	4×M20	4×Φ19	240	4×M20	4×Φ23	240	4×M20	4×Φ22
200	60	340	280	4×M20	4×Φ23	290	4×M20	4×Φ23	295	4×M20	4×Φ22
250	68	395	345	4×M20	8×Φ23	355	4×M22	8×Φ23	350	4×M20	8×Φ22
300	78	445	390	4×M20	8×Φ23	400	4×M22	8×Φ25	400	4×M20	8×Φ22
350	78	505	435	4×M22	8×Φ25	445	4×M22	12×Φ25	460	4×M20	12×Φ22
400	102	565	495	4×M22	12×Φ25	510	4×M24	12×Φ25	515	4×M24	12×Φ26
450	114	620	555	4×M22	12×Φ25	565	4×M24	12×Φ27	565	4×M24	16×Φ26
500	127	670	605	4×M22	16×Φ25	620	4×M24	16×Φ27	620	4×M24	16×Φ26
600	154	780	715	4×M24	16×Φ27	730	4×M30	20×Φ33	725	4×M24	16×Φ26

IMPA:754566-754614
756301-756314

德标双法兰蝶阀

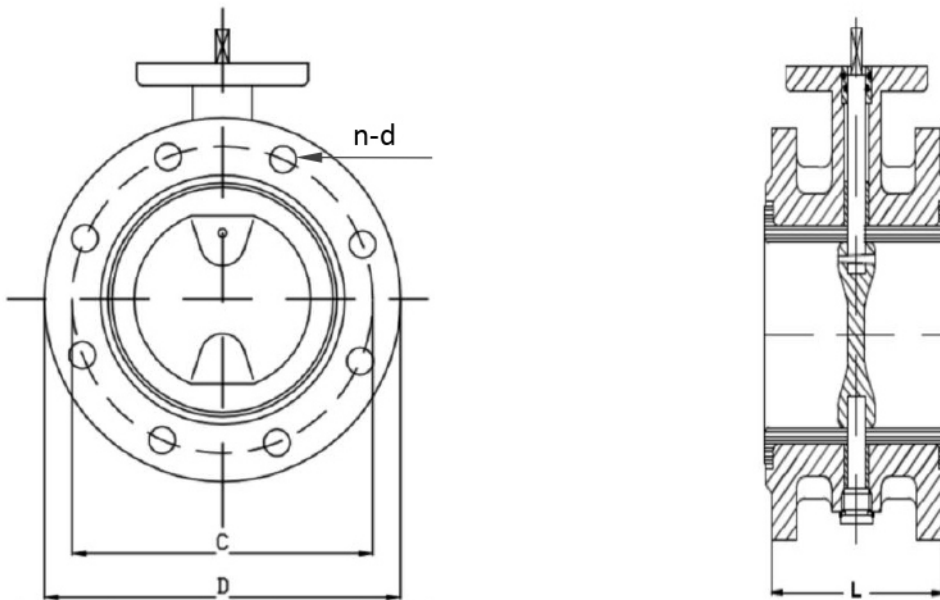
Double Flanged Butterfly Valve



日标: **JIS F7480 42#F**

德标: **DIN S53**

Flange connection			Material				Actuator	
JIS	DIN	ANSI	BODY	DISC	SEAT	STEM		
5K	PN10	125LB	FC	FCD	NBR	S45C	LOCK LEVER	WORM GEAR
10K	PN16	150LB	FCD	SUS304	EPDM	SS416	CENTRE HANDLE	ELECTRIC
			SC	BRONZE	PTFE	SUS304	PNEUMATIC	HYDRAULIC
					VITON	SUS316		



DN	L	D	JIS				DIN			
			5K		10K		PN10		PN16	
			C	n-d	C	n-d	C	n-d	C	n-d
50	108	165	105	4×Φ15	120	4×Φ19	125	4×Φ18	125	4×Φ18
65	112	185	130	4×Φ15	140	4×Φ19	142	4×Φ18	142	4×Φ18
80	114	200	145	4×Φ19	150	8×Φ19	160	8×Φ18	160	8×Φ18
100	127	220	165	8×Φ19	175	8×Φ19	180	8×Φ18	180	8×Φ18
125	140	250	200	8×Φ19	210	8×Φ23	210	8×Φ18	210	8×Φ18
150	140	285	230	8×Φ19	240	8×Φ23	240	8×Φ22	240	8×Φ22
200	152	340	280	8×Φ23	290	12×Φ23	295	8×Φ22	295	12×Φ22
250	165	405	345	12×Φ23	355	12×Φ25	350	12×Φ22	350	12×Φ26
300	178	460	390	12×Φ23	400	16×Φ25	400	12×Φ22	400	12×Φ26
350	190	520	435	12×Φ23	445	16×Φ25	460	16×Φ22	460	16×Φ26
400	216	580	495	16×Φ25	510	16×Φ27	515	16×Φ26	515	16×Φ30
450	222	640	555	16×Φ25	565	20×Φ27	565	20×Φ26	565	20×Φ30
500	229	715	605	20×Φ25	620	20×Φ27	620	20×Φ26	620	20×Φ33
600	267	840	715	20×Φ27	730	24×Φ33	725	20×Φ26	725	20×Φ36

蝶形止回阀

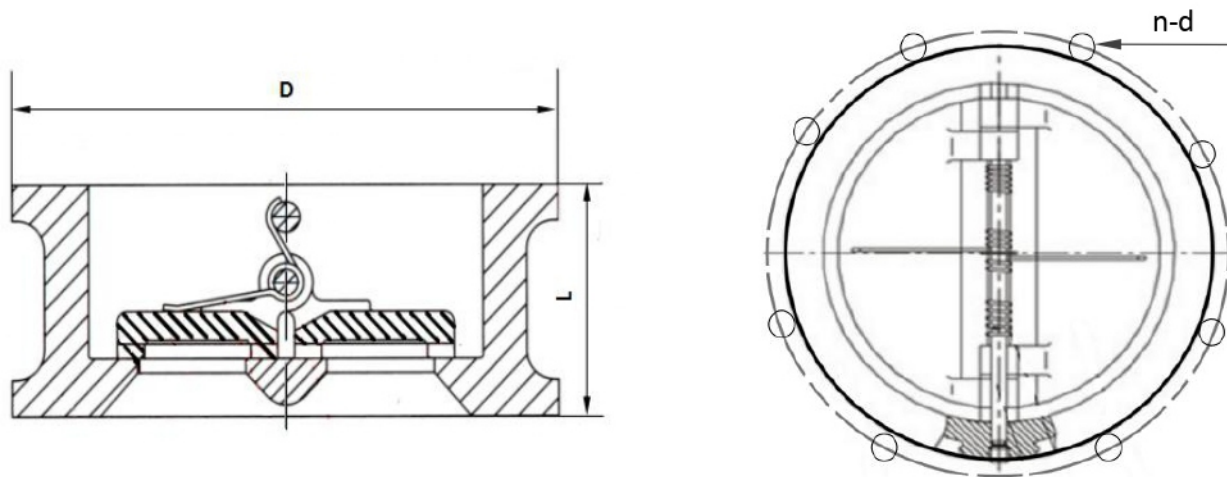
Butterfly Check Valve



日标: **JIS F7480 48#C**

国标: **H76**

Flange connection			Material			
JIS	DIN	ANSI	BODY	DISC	SEAT	STEM
5K	PN10	125LB	FC	FCD	NBR	S45C
10K	PN16	150LB	FCD	SUS304	EPDM	SS416
			SC	BRONZE	PTFE	SUS304
					VITON	SUS316



DN	L	JIS				DIN			
		5K		10K		PN10		PN16	
		D	n-d	D	n-d	D	n-d	D	n-d
50	43	90	4×Φ15	101	4×Φ19	107	4×Φ18	107	4×Φ18
65	46	115	4×Φ15	121	4×Φ19	127	4×Φ18	127	4×Φ18
80	64	126	4×Φ19	131	8×Φ19	142	8×Φ18	142	8×Φ18
100	64	146	8×Φ19	156	8×Φ19	162	8×Φ18	162	8×Φ18
125	70	181	8×Φ19	187	8×Φ23	192	8×Φ18	192	8×Φ18
150	76	211	8×Φ19	217	8×Φ23	218	8×Φ22	218	8×Φ22
200	89	257	8×Φ23	267	12×Φ23	273	8×Φ22	273	12×Φ22
250	114	322	12×Φ23	330	12×Φ25	328	12×Φ22	329	12×Φ26
300	114	367	12×Φ23	375	16×Φ25	378	12×Φ22	384	12×Φ26
350	127	412	12×Φ23	420	16×Φ25	438	16×Φ22	444	16×Φ26
400	140	470	16×Φ25	483	16×Φ27	489	16×Φ26	495	16×Φ30
450	152	530	16×Φ25	538	20×Φ27	539	20×Φ26	555	20×Φ30
500	152	580	20×Φ25	593	20×Φ27	594	20×Φ26	617	20×Φ33
600	178	688	20×Φ27	697	24×Φ33	699	20×Φ26	734	20×Φ36

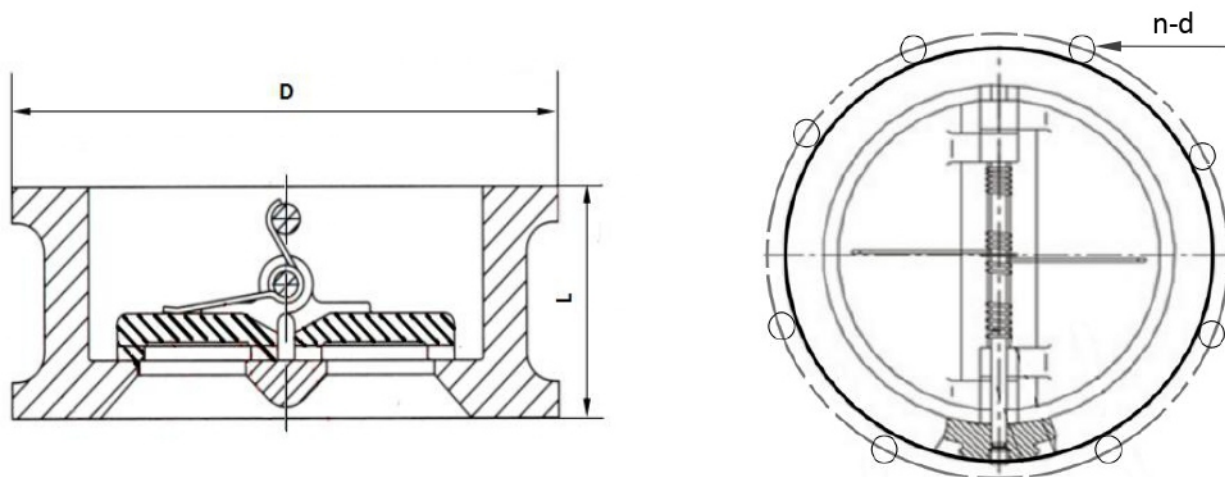
IMPA:756086-756098

蝶形止回阀

Butterfly Check Valve

德标: DIN S4111


Flange connection			Material			
JIS	DIN	ANSI	BODY	DISC	SEAT	STEM
5K	PN10	125LB	FC	FCD	NBR	S45C
10K	PN16	150LB	FCD	SUS304	EPDM	SS416
			SC	BRONZE	PTFE	SUS304
					VITON	SUS316



DN	L	JIS				DIN			
		5K		10K		PN10		PN16	
		D	n-d	D	n-d	D	n-d	D	n-d
50	60	90	4×Φ15	101	4×Φ19	107	4×Φ18	107	4×Φ18
65	67	115	4×Φ15	121	4×Φ19	127	4×Φ18	127	4×Φ18
80	73	126	4×Φ19	131	8×Φ19	142	8×Φ18	142	8×Φ18
100	73	146	8×Φ19	156	8×Φ19	162	8×Φ18	162	8×Φ18
125	86	181	8×Φ19	187	8×Φ23	192	8×Φ18	192	8×Φ18
150	98	211	8×Φ19	217	8×Φ23	218	8×Φ22	218	8×Φ22
200	127	257	8×Φ23	267	12×Φ23	273	8×Φ22	273	12×Φ22
250	146	322	12×Φ23	330	12×Φ25	328	12×Φ22	329	12×Φ26
300	181	367	12×Φ23	375	16×Φ25	378	12×Φ22	384	12×Φ26
350	184	412	12×Φ23	420	16×Φ25	438	16×Φ22	444	16×Φ26
400	190	470	16×Φ25	483	16×Φ27	489	16×Φ26	495	16×Φ30
450	203	530	16×Φ25	538	20×Φ27	539	20×Φ26	555	20×Φ30
500	219	580	20×Φ25	593	20×Φ27	594	20×Φ26	617	20×Φ33
600	222	688	20×Φ27	697	24×Φ33	699	20×Φ26	734	20×Φ36

IMPA:755976-755989

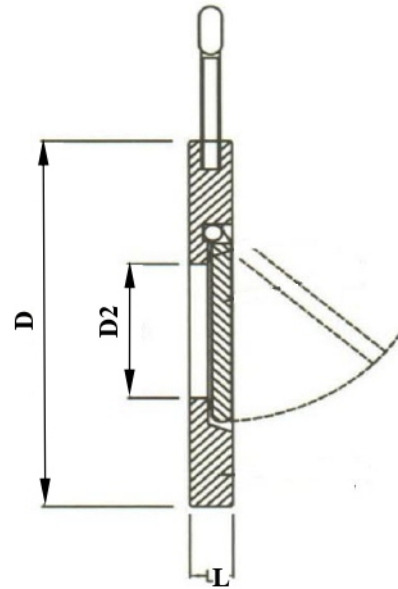
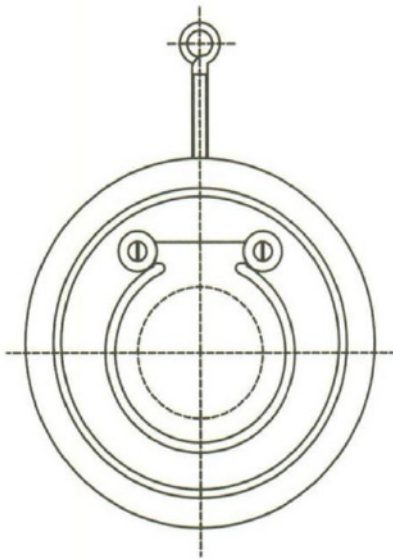
板式止回阀

Wafer Swing Check Valve



德标: **DIN S4111**

Flange connection			Material			
JIS	DIN	ANSI	BODY	DISC	SEAT	STEM
5K	PN10	125LB	SC	SUS304	SUS304	SUS304
10K	PN16	150LB	SUS304	BRONZE	BRONZE	BRONZE
			BRONZE			



DN	L	D2	JIS		DIN	
			5K	10K	PN10	PN16
			D	D	D	D
50	19	26	90	101	107	107
65	19	38	115	121	127	127
80	19	47	126	131	142	142
100	19	70	146	156	162	162
125	19	92	181	187	192	192
150	19	114	211	217	218	218
200	29	143	257	267	273	273
250	29	190	322	330	328	329
300	38	214	367	375	378	384
350	44	263	412	420	438	444
400	51	305	470	483	489	495
450	60	342	530	538	539	555
500	64	400	580	593	594	617

2、 JIS Marine Valve



INTRO

Daily standard Marine valves are manufactured according to JISF Marine standard and are mainly used in shipbuilding and repairing market. The valve is divided into cast iron valve, cast steel valve, bronze valve and so on according to the material, air vent head, globe valve, globe check valve, gate valve, storm valve and so on.

Material

Body: cast iron, cast steel, bronze and other materials.
Bonnet: the bonnet material is usually the same as the body material.

Stem: stainless steel, bronze, etc.

Seat: stainless steel 304, bronze, etc.

Standard

Japanese industrial standard (JIS) is the most important and authoritative standard in Japanese national standard. Developed by JISC. The corresponding codes in JIS include A: civil and construction; B: general machinery; C: electrical and electronic; D: auto; E: railway; F- ships, etc. Our company adopts F shipping standard and the product number is JISF series

空气帽
Air Vent Head



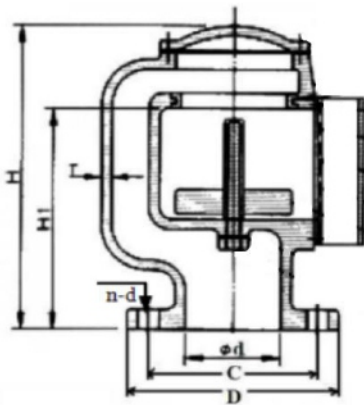
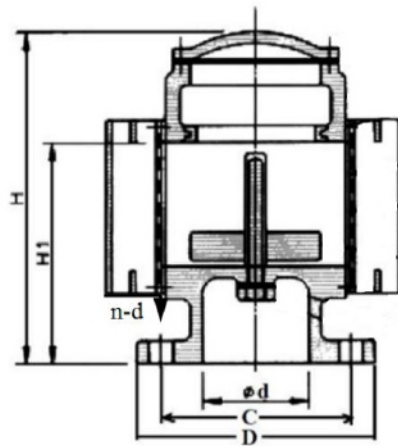
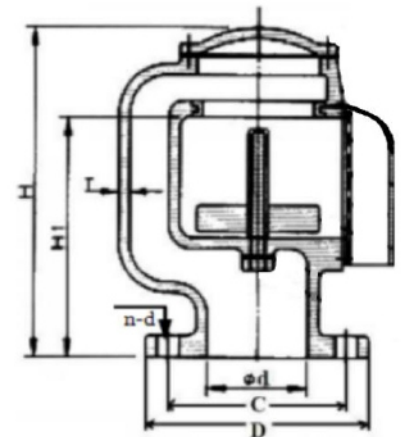
JISF3012A-122
CB/T3594

尼古拉空气帽
Nikura Air Vent Head



530N

Flange connection			Material				
JIS	DIN	ANSI	BODY	FLOAT	SCREEN COVER	HEAD COVER	NET FRAME
5K	PN10	125LB	FC	SUS304	WEIRZIN	WEIRZIN	STAINLESS
10K	PN16	150LB	FCD		STAINLESS	STAINLESS	

**DN50-DN80****DN100-DN450****尼古拉 DN50-DN200**

DN	JIS/DIN		Nikura Air Vent Head		JIS/Nikura			DIN					
					5K			PN6			PN10		
	H	H1	H	H1	D	C	n-d	D	C	n-d	D	C	n-d
50	168	124	179	127	130	105	4×Φ15	140	110	4×Φ14	165	125	4×Φ18
65	184	132	199	164	155	130	4×Φ15	160	130	4×Φ14	185	145	4×Φ18
80	207	149	220	176	180	145	4×Φ19	190	150	4×Φ18	200	160	8×Φ18
100	200	150	260	160	200	165	8×Φ19	210	170	4×Φ18	220	180	8×Φ18
125	220	162	299	180	235	200	8×Φ19	240	200	8×Φ18	250	210	8×Φ18
150	248	183	334	208	265	230	8×Φ19	265	225	8×Φ18	285	240	8×Φ22
200	288	214	420	269	320	280	8×Φ23	320	280	8×Φ18	340	295	8×Φ22
250	367	271	-	-	385	345	12×Φ23	375	335	12×Φ18	395	350	12×Φ22
300	425	314	-	-	430	390	12×Φ23	440	395	12×Φ22	445	400	12×Φ22
350	515	384	-	-	480	435	12×Φ23	490	445	12×Φ22	505	460	16×Φ22
400	640	475	-	-	540	495	16×Φ25	540	495	16×Φ22	565	515	16×Φ26
450	713	522	-	-	605	555	16×Φ25	595	550	16×Φ22	615	565	20×Φ28

IMPA:750201-750277
751101-751166

日标铸铁直通截止/止回阀
Cast Iron Globe Valve(SDNR)



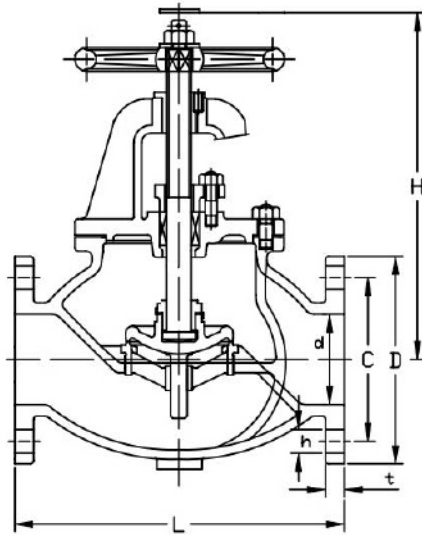
- 5K : JISF7305/7353**
- 10K: JISF7307/7375**
- 16K: JISF7309/7377**

日标铸铁直角截止/止回阀
Cast Iron Angle Valve(SDNR)

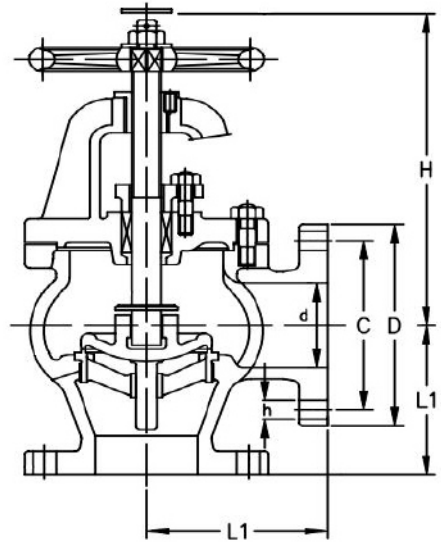


- 5K : JISF7306/7354**
- 10K: JISF7308/7376**
- 16K: JISF7310/7378**

Test Pressure (KG)			Material			
Pressure	Seal Test	Shell strength	BODY	DISC	SEAT	STEM
5K	7.7	10.5	CAST IRON	2CR13	2CR13	2CR13
10K	15.4	21		BRONZE	BRONZE	BRONZE
16K	24.2	33				



F7305/7307/7309
F7353/7375/7377



F7306/7308/7310
F7354/7376/7378

DN	L			L1			D			C			NO			h			通体H			角体H		
	5K	10K	16K	5K	10K	16K	5K	10K	16K	5K	10K	16K	5K	10K	16K	5K	10K	16K	5K	10K	16K	5K	10K	16K
50	210	220	220	100	120	120	130	155	155	105	120	120	4	4	8	15	19	19	270	285	285	240	255	255
65	250	270	270	115	130	130	155	175	175	130	140	140	4	4	8	15	19	19	300	310	310	255	270	270
80	280	300	300	130	140	150	180	185	200	145	150	160	4	8	8	19	19	23	310	320	340	265	275	295
100	340	350	350	150	160	170	200	210	225	165	175	185	8	8	8	19	19	23	360	370	385	310	315	330
125	410	420	430	170	180	200	235	250	270	200	210	225	8	8	8	19	23	25	390	420	455	330	360	390
150	480	490	500	190	205	225	265	280	305	230	240	260	8	8	12	19	23	25	445	470	510	380	405	435
200	570	570	570	220	230	250	320	330	350	280	290	305	8	12	12	23	23	25	530	555	630	450	475	540
250	740	740	-	275	290	-	385	400	-	345	355	-	12	12	-	23	25	-	650	680	-	540	570	-
300	840	840	-	310	320	-	430	445	-	390	400	-	12	16	-	23	25	-	740	770	-	610	645	-
350	940	-	-	360	360	-	480	490	-	435	445	-	12	16	-	25	25	-	840	-	-	690	710	-
400	1050	-	-	395	420	-	540	560	-	495	510	-	16	16	-	25	27	-	940	-	-	770	790	-

IMPA:750411-750447
751201-751253

日标铸钢直通截止/止回阀
Cast Steel Globe Valve(SDNR)



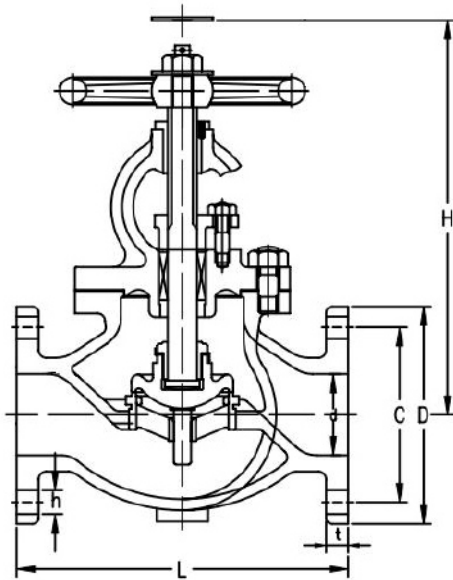
- 5K : JISF7311/7311C**
- 10K: JISF7319/7471**
- 20K: JISF7313/7473**

日标铸钢直角截止/止回阀
Cast Steel Angle Valve(SDNR)

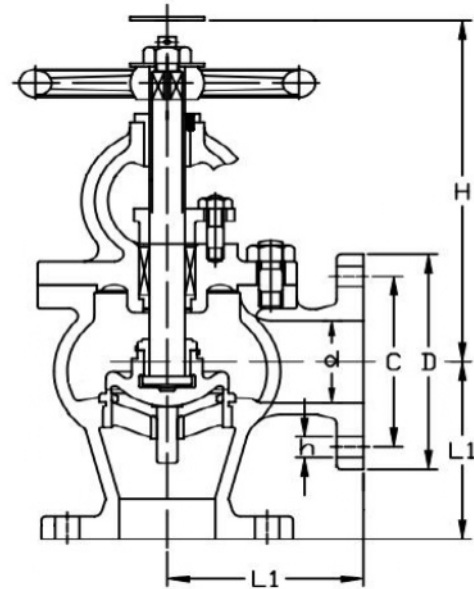


- 5K : JISF7312/7312C**
- 10K: JISF7320/7472**
- 20K: JISF7314/7474**

Test Pressure (KG)			主要材质			
Pressure	Seal Test	Shell strength	BODY	DISC	SEAT	STEM
5K	7.7	10.5	CAST IRON	2CR13	2CR13	2CR13
10K	15.4	21		BRONZE	BRONZE	BRONZE
16K	24.2	33				



F7311/7319/7313
F7311C/7471/7473



F7312/7320/7314
F7312C/7472/7474

DN	L			L1			D			C			NO			h			通体H			角体H		
	5K	10K	20K	5K	10K	20K	5K	10K	20K	5K	10K	20K	5K	10K	20K	5K	10K	20K	5K	10K	20K	5K	10K	20K
32	-	-	190	-	-	100	-	-	135	-	-	100	-	-	4	-	-	19	-	-	270	-	-	270
40	-	-	200	-	-	110	-	-	140	-	-	105	-	-	4	-	-	19	-	-	290	-	-	290
50	210	220	230	100	120	125	130	155	155	105	120	120	4	4	8	15	19	19	270	285	305	240	255	305
65	250	270	270	115	130	135	155	175	175	130	140	140	4	4	8	15	19	19	300	310	345	255	270	345
80	280	300	300	130	140	150	180	185	200	145	150	160	4	8	8	19	19	23	310	320	385	265	275	385
100	340	350	350	150	160	170	200	210	225	165	175	185	8	8	8	19	19	23	360	370	440	310	315	440
125	410	420	430	170	180	200	235	250	270	200	210	225	8	8	8	19	23	25	390	420	500	330	360	500
150	480	490	500	190	205	225	265	280	305	230	240	260	8	8	12	19	23	25	445	470	550	380	405	550
200	570	570	560	220	230	280	320	330	350	280	290	305	8	12	12	23	23	25	530	555	630	450	475	630
250	740	740	660	275	290	310	385	400	430	345	355	380	12	12	12	23	25	27	650	680	725	540	570	725
300	840	840	-	310	320	-	430	445	-	390	400	-	12	16	-	23	25	-	740	770	-	610	645	-

IMPA:750801-750829
750901-750909

日标铸铁/铸钢闸阀
Cast Iron/Steel Gate Valve



铸铁: 5K : JISF7363

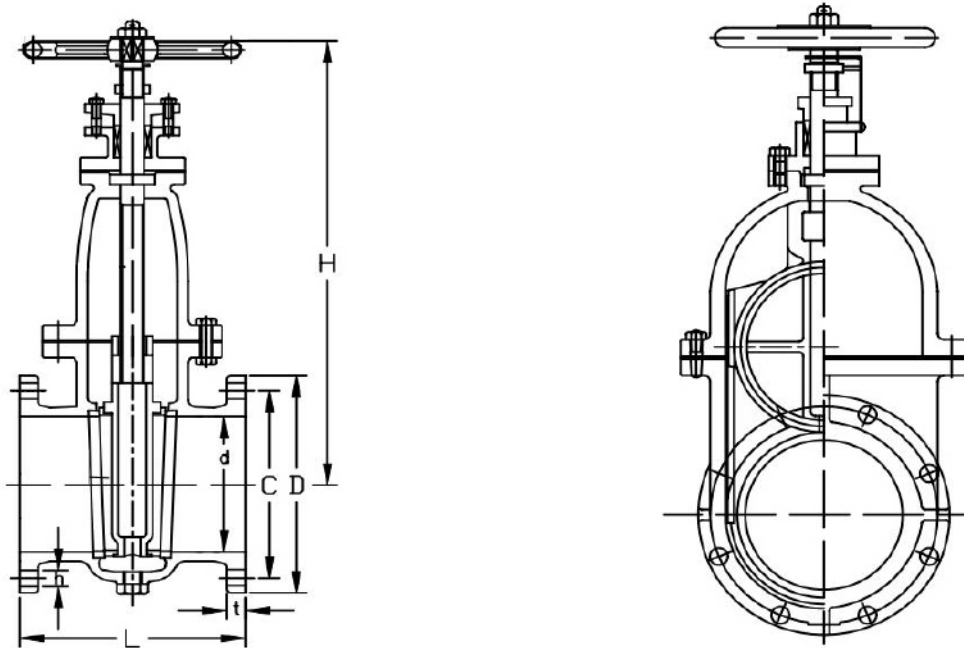
10K: JISF7364

16K: JISF7369

铸钢: 5K : JISF7363C

10K: JISF7366

Test Pressure (KG)			Material			
Pressure	Seal Test	Shell strength	BODY	DISC	SEAT	STEM
5K	7.7	10.5	CAST IRON	2CR13	2CR13	2CR13
10K	15.4	21	CAST STEEL	BRONZE	BRONZE	BRONZE
16K	24.2	33				



F7363/7364/7369
F7363C/7366

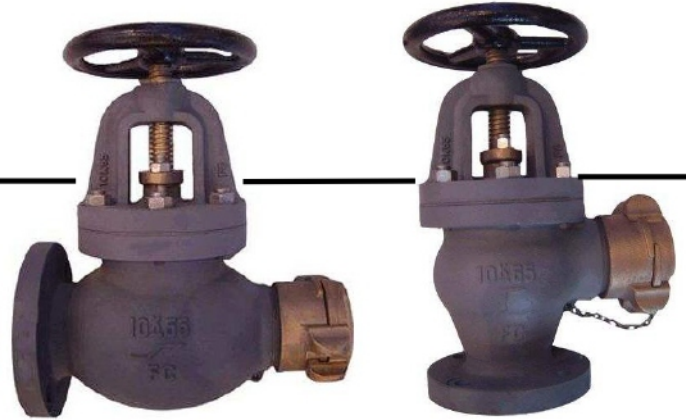
DN	CAST IRON L			CAST STEEL L		D			C			NO			h			H		
	5K	10K	16K	5K	10K	5K	10K	16K	5K	10K	16K	5K	10K	16K	5K	10K	16K	5K	10K	16K
50	180	200	200	180	200	130	155	155	105	120	120	4	4	8	15	19	19	285	300	300
65	190	220	220	190	220	155	175	175	130	140	140	4	4	8	15	19	19	330	350	350
80	200	230	234	200	230	180	185	200	145	150	160	4	8	8	19	19	23	380	400	400
100	230	250	254	230	250	200	210	225	165	175	185	8	8	8	19	19	23	430	450	450
125	250	270	274	250	270	235	250	270	200	210	225	8	8	8	19	23	25	495	520	520
150	270	290	294	270	290	265	280	305	230	240	260	8	8	12	19	23	25	560	580	580
200	290	320	328	290	310	320	330	350	280	290	305	8	12	12	23	23	25	680	700	700
250	330	380	388	330	340	385	400	-	345	355	-	12	12	-	23	25	-	800	840	840
300	370	440	490	370	380	430	445	-	390	400	-	12	16	-	23	25	-	920	960	1010

IMPA:751731-751737

日标铸铁消防阀

Cast Iron Hose Valve

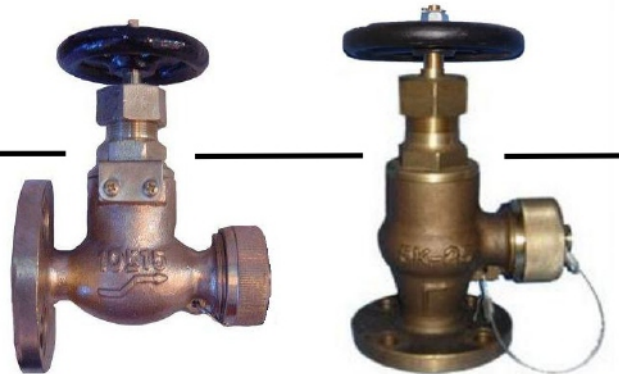
JISF7333A
JISF7333B



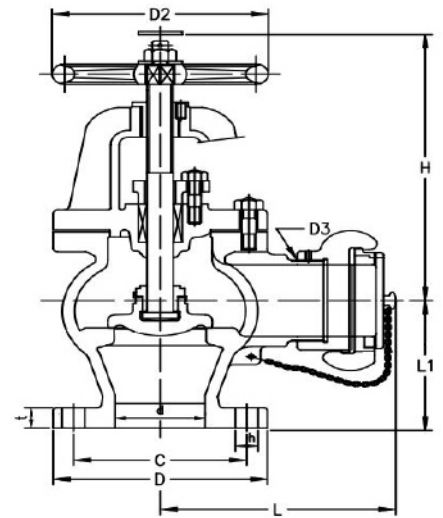
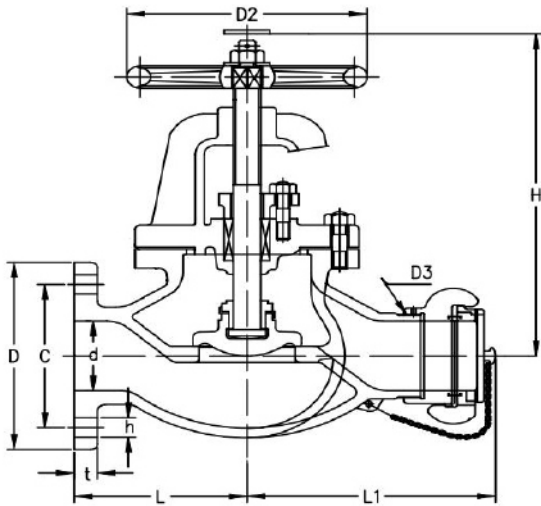
日标铜消防阀

Bronze Hose Valve

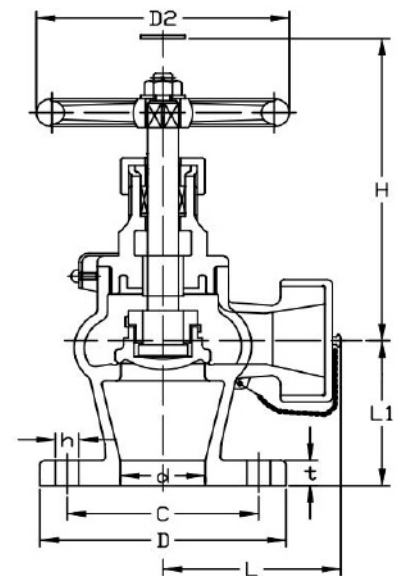
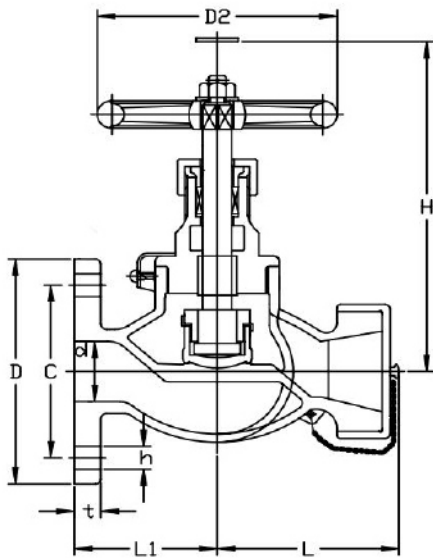
JISF7334A
JISF7334B



Test Pressure (KG)			Material			
Pressure	Seal Test	Shell strength	BODY	DISC	SEAT	STEM
5K	7.7	10.5	CAST IRON	2CR13	2CR13	2CR13
10K	15.4	21	BRONZE	BRONZE	BRONZE	BRONZE



F7333A/B DN50-DN65



F7334A/B DN15-DN65

DN	GLOBE 5K		GLOBE 10K		Angle 5K		Angle 10K		D		C		NO		h		t	H	KG
	L	L1	L	L1	L	L1	L	L1	5K	10K	5K	10K	5K	10K	5K	10K			
15	73	50	73	55	68	55	73	70	80	95	60	70	4	4	12	15	12	129	2.5
25	78	60	83	65	78	65	83	85	95	125	75	90	4	4	12	19	14	161	4.2
40	128	80	133	90	124	82	124	100	120	140	95	105	4	4	15	19	16	193	6.3
50	105	165	110	170	155	100	170	120	130	155	105	120	4	4	15	19	16	256	19
65	-	-	135	200	-	-	185	130	-	175	-	140	-	4	-	19	18	298	28

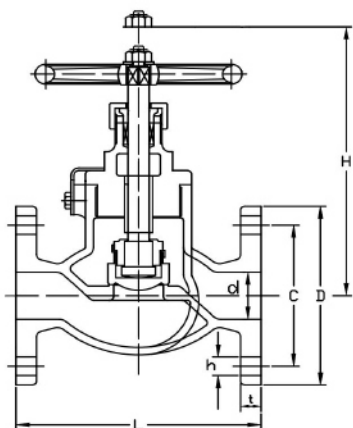
JIS Bronze Valve

5K:JISF7301/7351

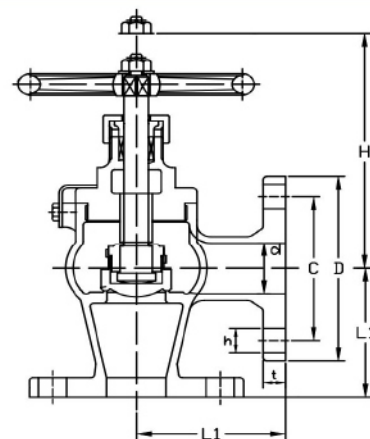
16K:JISF7303/7409

5K:JISF7302/7352

16K:JISF7304/7410



F7301/7351/7303/7409



F7302/7352/7304/7410

ITEM	MATERIAL	CODE
BODY	BRONZE	C2800BD
DISC	BRONZE	C2800BD
STEM	BRONZE	C2800BD

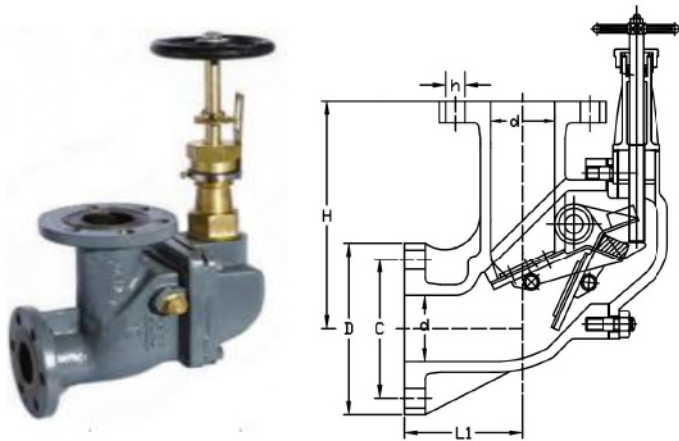
Pressure	5K	16K
BODY	12KG	38kg
SEAL	8KG	23kg

名称	DN	L	D	C	NO	h	t	H	D2	重量
F7301/7351 5K	15	100	80	60	4	12	9	130	80	2.02
	20	110	85	65	4	12	10	140	100	2.86
	25	120	95	75	4	12	10	160	125	3.54
	32	140	115	90	4	15	12	170	125	5.00
	40	160	120	95	4	15	12	190	140	6.48
	50	210	130	105	4	15	14	135	140	11.7
F7303/7409 16K	15	110	95	70	4	15	12	130	80	2.76
	20	120	100	75	4	15	14	140	100	3.72
	25	130	125	90	4	19	14	160	125	5.20
	32	160	135	100	4	19	16	170	125	6.91
	40	180	140	105	4	19	16	190	140	8.43
F7302/7352 5K	15	55	80	60	4	12	9	120	80	1.98
	20	60	85	65	4	12	10	130	100	2.73
	25	65	95	75	4	12	10	145	125	3.44
	32	80	115	90	4	15	12	150	125	4.77
	40	85	120	95	4	15	12	165	140	5.99
	50	100	130	105	4	15	14	200	140	10.1
F7304/7410 16K	15	70	95	70	4	15	12	120	80	2.73
	20	75	100	75	4	15	14	130	100	3.65
	25	85	125	90	4	19	14	145	125	5.16
	32	90	135	100	4	19	16	150	125	6.72
	40	100	140	105	4	19	16	165	140	8.13

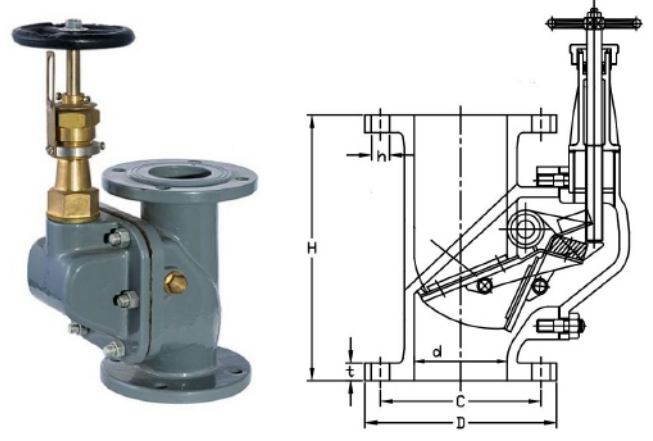
JIS Storm Valve

JISF3060 JISF3060R

IMPA:754241-754257



F3060



F3060R

ITEM	Material	CODE
BODY	SC	SC49
SEAT	RUBBER	NBR
DISC	BRONZE	BC6
STEM	STAINLESS	SUS403

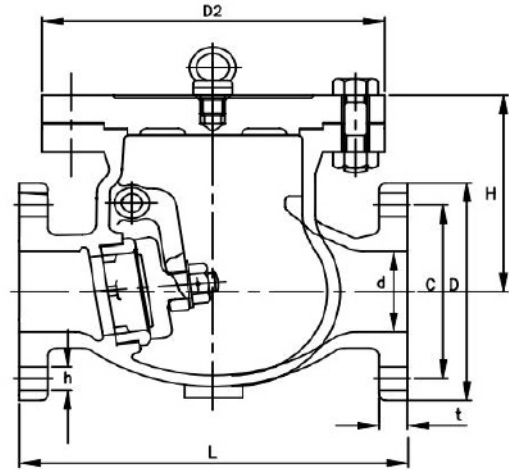
DN	Test Pressure[kgf/cm ²]
50-200	5.1

名称	DN	H	D		C		NO		h		t	L1	D2	KG
			5K	10K	5K	10K	5K	10K	5K	10K				
F3060 直通式	50	210	130	155	105	120	4	4	15	19	14	-	100	14.7
	65	240	155	175	130	140	4	4	15	19	14	-	100	16.5
	80	260	180	185	145	150	4	8	19	19	14	-	125	21.6
	100	280	200	210	165	175	8	8	19	19	16	-	125	29.6
	125	330	235	250	200	210	8	8	19	23	16	-	125	43.6
	150	360	265	280	230	240	8	8	19	23	18	-	125	51.6
F3060R 直角式	200	459	320	330	280	290	8	12	23	23	22	-	125	80.1
	50	170	130	155	105	120	4	4	15	19	14	90	100	13.9
	65	200	155	175	130	140	4	4	15	19	14	110	100	20.1
	80	220	180	185	145	150	4	8	19	19	14	120	125	24.1
	100	250	200	210	165	175	8	8	19	19	16	130	125	35.2
	125	270	235	250	200	210	8	8	19	23	16	150	125	52.7
	150	340	265	280	230	240	8	8	19	23	18	170	125	63.2
200	400	320	330	280	290	8	12	23	23	22	190	125	83.7	

JIS Swing Check Valve

JISF7372 JISF7373

IMPA:751421-751437



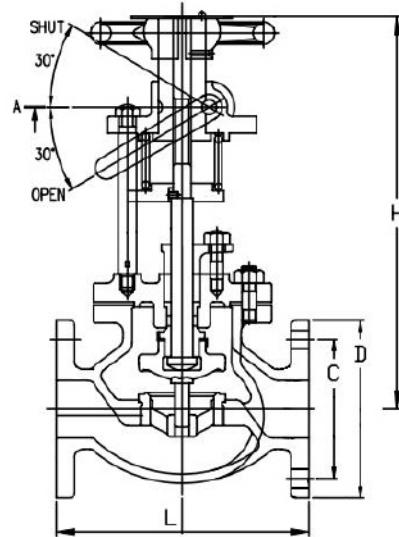
ITEM	材料	牌号
BODY	FC	FC
HINGE	BRONZE	C3771BD
DISC	BRONZE	BC6
STEM	BRONZE	BC6

TEST PRESSURE	5K	10K
BODY	10.5	21
SEAL	7.7	15.4

型号	DN	L	D	C	NO	h	t	H	D2	KG
F7372 5K	50	190	130	105	4	15	16	97	135	9.06
	65	220	155	130	4	15	18	119	155	13.9
	80	250	180	145	8	19	18	129	185	19.1
	100	280	200	165	8	19	20	146	205	27.1
	125	330	235	200	8	19	20	171	235	39
	150	380	265	230	8	19	22	198	265	53.7
	200	460	320	280	12	23	24	235	330	94.4
F7373 10K	50	210	155	120	4	19	20	109	150	13.6
	65	240	175	140	4	19	22	126	170	19.6
	80	270	185	150	8	19	22	136	185	22.6
	100	300	210	175	8	19	24	153	205	30.9
	125	350	250	210	8	23	24	180	250	49.2
	150	400	280	240	8	23	26	205	275	64.9
	200	480	330	290	12	23	26	242	330	103

JIS Emergency Shout-off Valve

JISF7399



ITEM	MATERIAL	CODE
BODY	BRONZE	BC6
DISC	BRONZE	BC6
SEAT	BRONZE	BC6
STEM	BRONZE	BC6

Test Pressure [kgf/cm ²]	
BODY	7
SEAL	2

DN	L		D		C		NO		h		H
	5K	10K	5K	10K	5K	10K	5K	10K	5K	10K	
25	130	130	95	125	75	90	4	4	12	19	265
40	160	170	120	140	95	105	4	4	15	19	310
50	210	220	130	155	105	120	4	4	15	19	335
65	250	270	155	175	130	140	4	4	15	19	395
80	280	300	180	185	145	150	4	8	19	19	420
100	340	350	200	210	165	175	8	8	19	19	510
125	410	420	235	250	200	210	8	8	19	19	570
150	480	490	265	280	230	240	8	8	19	19	660